



P047

Flush Diaphragm Pressure Transmitter

Pressure-P047

www.eyc-tech.com


| Features |

- 316L flush diaphragm structure adopted for pressure connection
- Anti-fouling
- Wide pressure range, can measure absolute pressure, gauge pressure
- Good seal, long-term stable work
- Optional output signal, can be customized

| Introduction |

P047 adopts flush diaphragm to directly receive pressure signal, takes diffused silicon pressure sensor as sensitive element and uses standard silicone or olive oil as pressure transfer medium. With compact structure, corrosion resistance, vibration resistance and wide range temperature compensation, stainless steel 316L and specially welded flush isolation diaphragm are used for measurement end.

It prevents fouling due to its exposed diaphragm, which is especially applicable to measure viscous fluid pressure with sanitary requirements of health care and food industry, solving problems of fouling, block, cleaning and sanitation. It is also widely applicable to sanitary industries and occasions with fouling forming medium.

| Applications |

Medicine and health care / Food / Liquor-making / Dairy and drinks / Environmental protection chemical coating / Polyurethane equipment / Paint detection system etc.

| Specification |

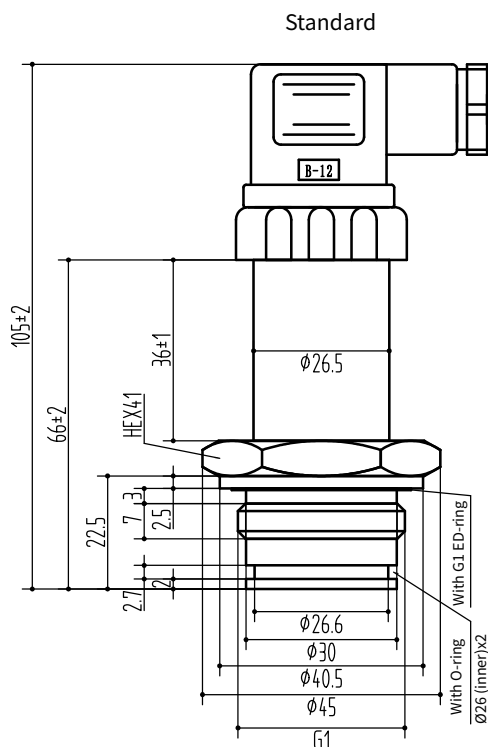
Measuring range	Relative pressure : -1 ... 250 bar ; Absolute pressure : 0 ... 250 bar
Pressure type	Relative pressure / Absolute pressure
Output	4 ... 20 mA (DC 12 ... 30 V) / 0 ... 10 V (DC 12 ... 24 V)
Accuracy	0.5%F.S.
Hysteresis & repeatability	0.1%F.S.
Temperature drift	1.5%F.S. (at -20°C ... 85°C)
Response time	≤1 ms (up to 90%F.S.)
Service life	≥10×10 ⁶ pressure cycles
Operating temperature	-20°C ... 85°C
Storage temperature	-40°C ... 85°C
Medium temperature	-40°C ... 85°C
IP rating	IP65
Material	SS316
Connection	DIN 43650

| Pressure Range |

Pressure range	Overpressure	Burst pressure
≤70 kPa	300%F.S.	500%F.S.
≤2.5 MPa	200%F.S.	300%F.S.
≤10 MPa	150%F.S.	300%F.S.

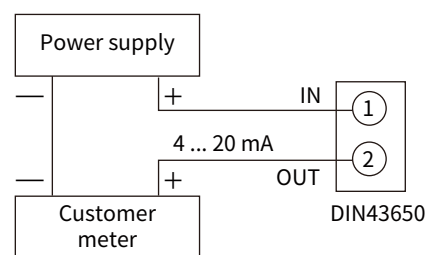
| Dimension |

Unit:mm

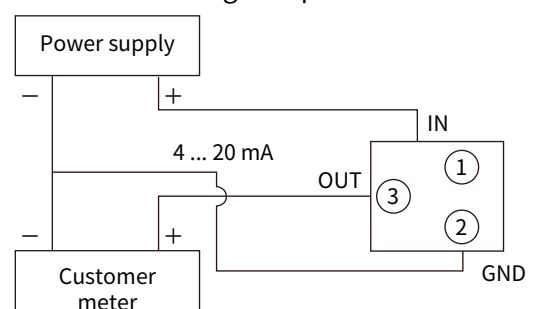


| Diagram |

Current output



Voltage output



| Ordering Guide |

	Pressure type	Pressure range	Output	Connect thread	Connector	Option
P047 —	1	03	1	8	1	W
	0 : Absolute pressure 1 : Relative pressure	01 : 0.1 bar 03 : 0.25 bar 04 : 0.4 bar 06 : 0.6 bar 11 : 1.0 bar 12 : 1.6 bar 13 : 2.5 bar 14 : 4.0 bar 16 : 6.0 bar 21 : 10 bar 22 : 16 bar 23 : 25 bar 24 : 40 bar 25 : 60 bar 26 : 100 bar 27 : 160 bar 28 : 250 bar	1 : 4 ... 20 mA 6 : 0 ... 10 V	8 : G1 External thread	1 : DIN 43650	W : Others

| Additional Option Test Report | For more detailed information please contact us.

■ ILAC / TAF

YUDEN-TECH CO.,LTD. Calibration Laboratory - (ILAC / TAF) Test report.
(TAF accreditation:3032, complying with ISO / IEC 17025) TAF has mutual recognition arrangement with ILAC MRA

Project	Measurand level or range
Pressure transmitter	Gauge pressure : 10 ... 7000 kPa
	Absolute pressure : 20 ...170 kPa

■ ISO 9001

Project	Measurand level or range
Pressure	Relative pressure : ≤ 6000 kPa
	Absolute pressure : ≤ 1000 kPa
	Differential pressure : 0 ... 500 Pa / 0 ... 1000 Pa / 0 ... 10000 Pa