



FUMD

Clamp-on Ultrasonic Flow Transmitter

Flow-FUMD

www.eyc-tech.com



| Features |

- Accuracy 2.0 %
- Response time : 2 sec ; Repeatability : 0.8 %
- Power supply : DC 24 V
- The clamp-on design is not necessary to shut down flow or cut the pipe when installing the Ultrasonic Flow Transmitter

| Introduction |

eYc FUMD Clamp-on Ultrasonic Flow Transmitter measures the velocity of a fluid with ultrasound to calculate volume flow. Using ultrasonic transducers, the flow transmitter can measure the average velocity along the path of an emitted beam of ultrasound, by averaging the difference in measured transit time between the pulses of ultrasound propagating into and against the direction of the flow or by measuring the frequency shift from the Doppler effect.

Whit affected by the acoustic properties of the fluid and can be impacted by temperature, density, viscosity and suspended particulates depending on the exact flow transmitter.

| Applications |

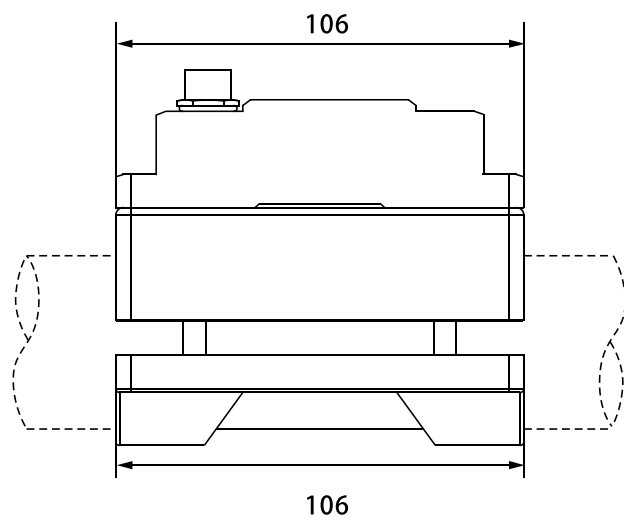
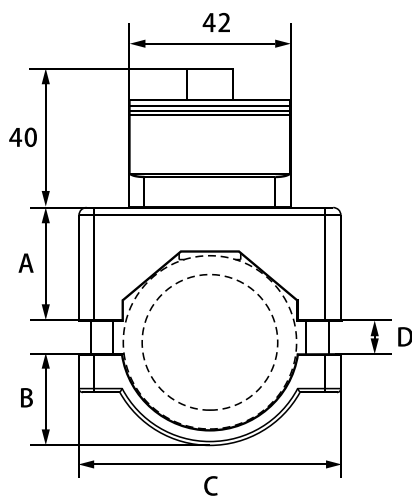
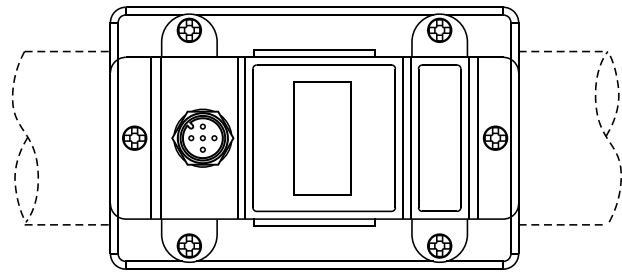
Water and wastewater treatment / Food / Pharmaceutical and paper industry / Petrochemical industry / Refrigeration and air conditioning industry / Energy plant

| Specification |

Analog output	4 ... 20 mA, Maximum load : 600 Ω
Repeatability	0.8%
Accuracy	2.0% (± 0.5 m/s ... 5.0 m/s)
Response time	2 sec
Alarm output	OCT, high and low flow alarm function (Optional)
Communication	RS-485
Power supply	DC 24 V
Keypad	Four light touch buttons
Screen	OLED 128x64 display screen
Units	Metric and imperial units are available, m ³ /h, L/h, GAL/h, m ³ /min, L/min, GAL/min, Default unit setting : m ³ /h
Totalizer	Six bit digit
Liquid	Water, Chemical, Oil
Piper Material	Carbon Steel, Stainless Steel, PVC
Case Material	Aluminum alloy
Environmental Temp.	0°C ... 50°C
Liquid Temp	0°C ... 50°C
Environmental Humidity	0 ... 95%RH(Non-condensing)
IP rating	IP54
Data storage	Day, monthly, and year flow totalizer
Cable length	1.8 m
Dimensions(mm)	Electric unit : 106x42x51 Base bracket : 106x58x40 / 106x58x47 / 106x68x53.5
Weight(Kg)	Electric unit : 0.19 Base bracket : 0.35 / 0.33 / 0.41
Pipe diameter	DN15(1/2") / DN20(3/4") / DN25(1") / DN32(1.2") / DN40(1.5") / DN50(2")

| Dimension |

A (mm)	B (mm)	C (mm)	D(mm)	
			min.	Max.
25	8	58	1.5/Φ 20	8/Φ 23
25	15	58	1.5/Φ 25	4.5/Φ 28
28.5	18.5	58	1.5/Φ 32	4.5/Φ 35
29.5	24	68	1.5/Φ 38	8.5/Φ 45
36	27	78	1.5/Φ 48	8.5/Φ 54
41	32	91	1.5/Φ 58	7.5/Φ 64



| Ordering Guide |

FUMD -

Pipe diameter

25

15 : DN15
 20 : DN20
 25 : DN25
 32 : DN32
 40 : DN40
 50 : DN50
 63 : DN63

Pipe material

CS

CS : Carbon steel
 SS : Stainless steel
 CI : Cast iron
 GF : Glassfiber
 PV : PVC
 CM : Cement
 W : Other